

Halsey Taylor® OWNERS MANUAL

HBW8 Semi-Recessed Wall Mount Water Cooler



Note: Danger! Electric shock hazard. Disconnect power before servicing unit.

Uses HFC-134A refrigerant

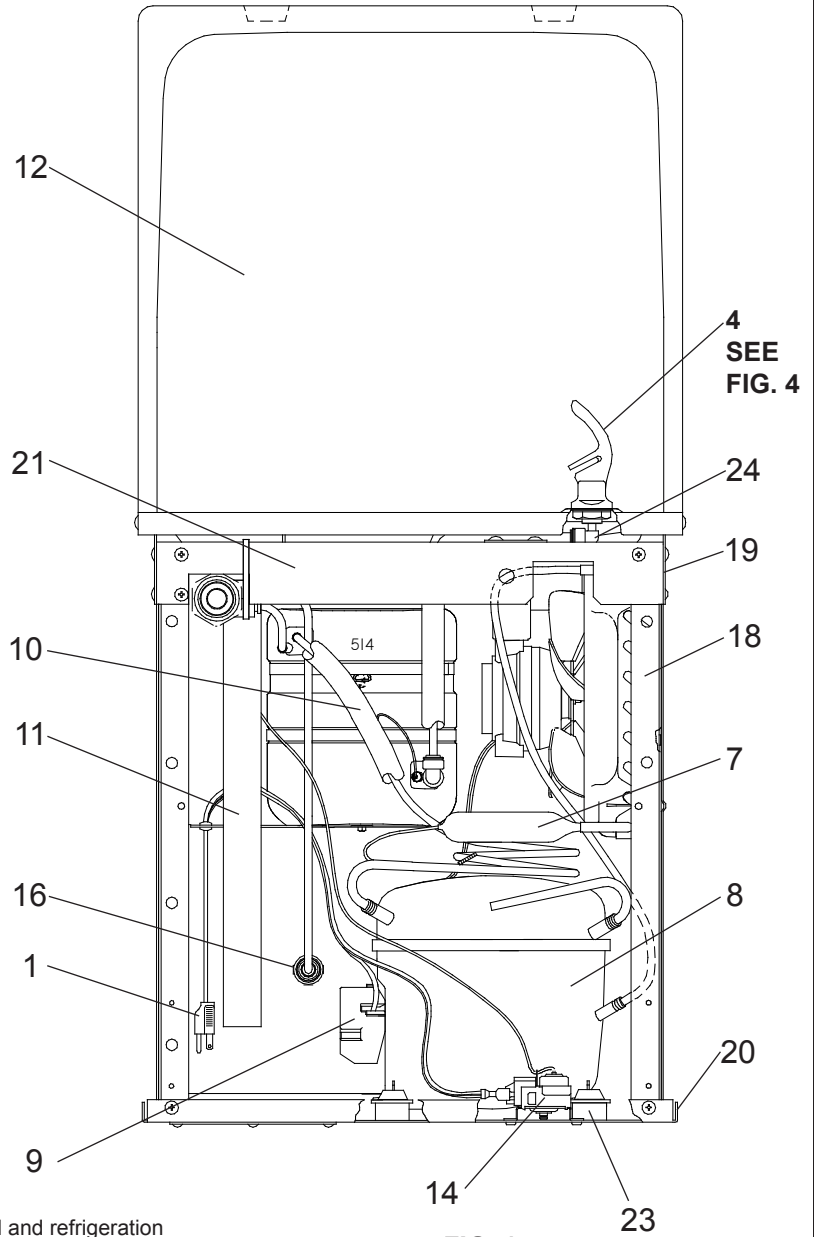
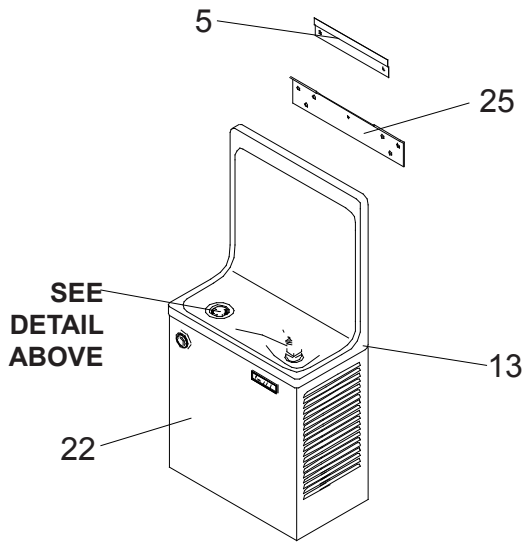
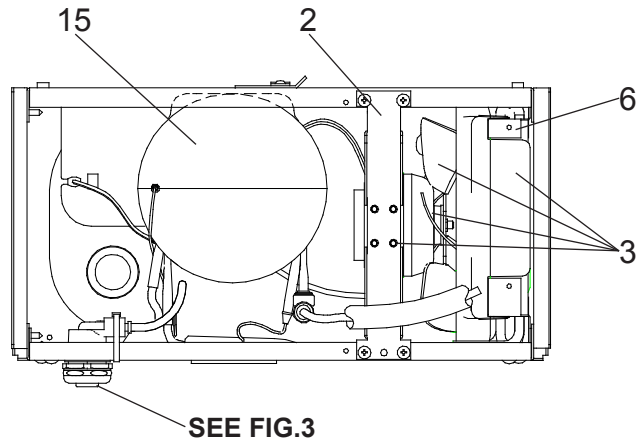
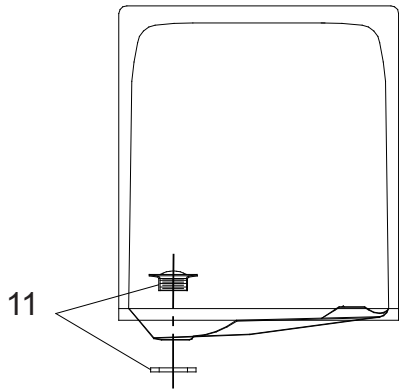


FIG. 1

NOTE: Non-refrigerated units do not include all electrical and refrigeration components shown above. Other components and rough-in are the same as shown.

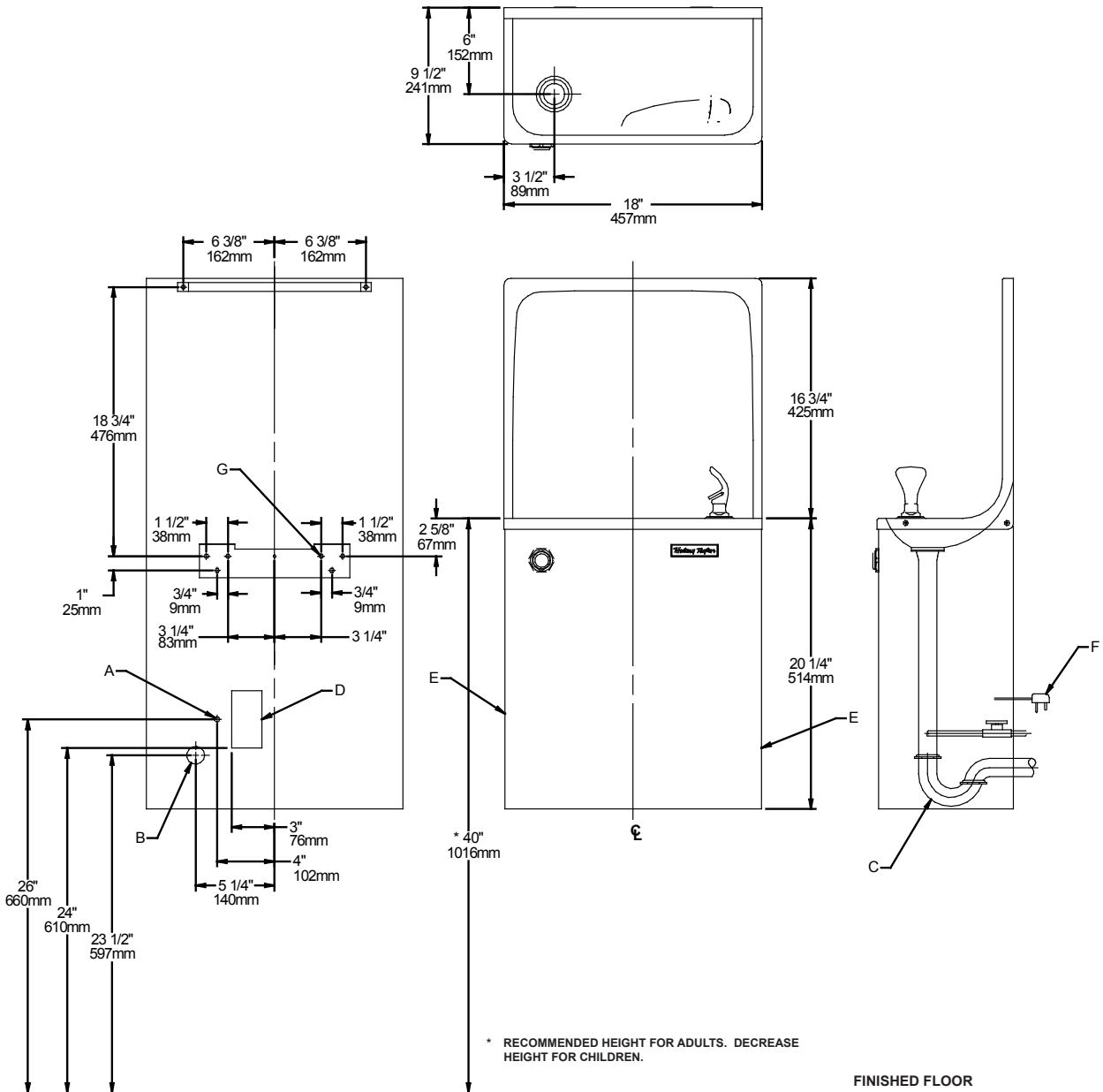


FIG. 2

LEGEND/LEYENDA/LÉGENDE

- A = RECOMMENDED WATER SUPPLY LOCATION 3/8" O.D. UNPLATED COPPER TUBE CONNECT STUB 1-1/2 IN. (38 mm) OUT FROM WALL SHUT OFF BY OTHERS
- B = RECOMMENDED LOCATION FOR WASTE OUTLET 1-1/4" O.D. DRAIN
- C = 1-1/4" TRAP NOT FURNISHED**
- D = ELECTRICAL OUTLET LOCATION
- E = INSURE PROPER VENTILATION BY MAINTAINING 4" (102mm) (MIN.) CLEARANCE FROM CABINET LOUVERS TO WALL.
- F = POWER CORD 1-1/2 FEET (457mm) LONG
- G = 5/16" (8mm) SCREW HOLES IN MOUNTING PLATE

IMPORTANT
ALL SERVICE TO BE PERFORMED BY AN AUTHORIZED SERVICE PERSON

HANGER BRACKETS & TRAP INSTALLATION

- 1) Remove hanger brackets fastened to back of cooler by removing screws.
 - 2) Mount the hanger brackets and trap as shown in Figure 2.
- NOTE:** Hanger Brackets and trap **MUST** be supported securely. Add fixture support carrier if wall will not provide adequate support.

IMPORTANT:

- 5-1/2 in. (140mm) dimension from wall to centerline of trap must be maintained for proper fit.
 - Anchor hanger securely to wall using all mounting holes.
- 3) Install straight valve for 3/8" O.D. unplated copper tube.

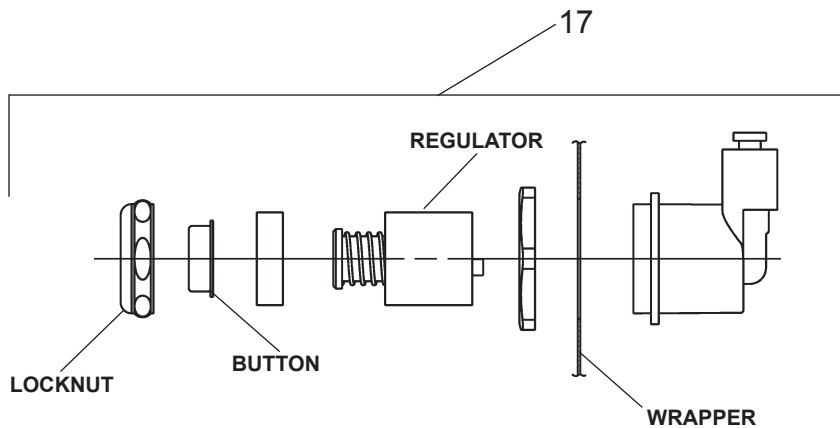
INSTALLATION OF COOLER

- 4) Hang the cooler on the hanger brackets. Be certain the hanger brackets are engaged properly in the frame and wrapper.
- 5) Remove the access panel on the underside of the cooler and set it aside.
- 6) Connect water inlet line--See Note 4 of General Instructions.
- 7) Remove the slip nut and gasket from the trap and install them on the cooler waste line making sure that the end of the waste line fits into the trap. Assemble the slip nut and gasket to the trap and tighten securely.

START UP

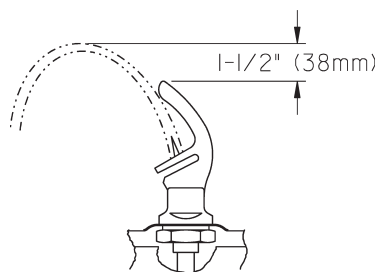
Also See General Instructions

- 8) Replace the front panel and secure by retightening all screws.



Stream height is factory set at 35 PSI. If supply pressure varies greatly from this, remove Locknut and Button and adjust screw on Regulator. Clockwise adjustment will raise stream and counter-clockwise adjustment will lower stream. For best adjustment, stream should hit basin approximately 6-1/2" (165mm) from bubbler.

FIG. 3



CORRECT STREAM HEIGHT

FIG. 4

ITEMIZED PARTS LIST

ITEM NO.	PART NO.	DESCRIPTION
1	36208C	Power Cord
2	27095C	Fan Bracket
3	98775C	Kit - Fan Motor Assy/Blade/Motor/Shroud/Screws/Nut
4	98533C	Kit - Bubbler/Nipple/Gaskets
5	20415C	Hanger - Bracket
6	98776C	Kit - Condenser/Drier
7	66703C	Drier
*8	36322C	Compressor Serv. Pak
9	000000238	Kit - Compr Electrical /Relay/Overload/Cover
10	98778C	Kit - Heat Exchanger/Drier
11	98356C	Kit - Drain/Tailpipe/Strainer Assy/Gasket
12	26664C	Basin - Stainless Steel
13	75536C	Screw - Basin Mtg.
14	98773C	Kit - Cold Control/Screws
15	000000886	Kit - Evaporator Assembly
16	55996C	Strainer
17	98536C	Kit - Push Button Assy/Regulator/Holder/Button/Nuts
18	27093C	Angle - Front Corners
19	28797C	Bracket - Basin Mounting
20	27097C	Frame - Back/Bottom
21	27094C	Bracket - Front
22	See Color Table	Wrapper
23	000000252	Kit - Compr Mtg Hdwe/Grommets/Clips/Washers
24	70817C	Fitting - Elbow 1/4 Stem
25	20430C	Hanger - Bracket
NS	56092C	Poly Tubing (Cut to Length)

COLOR TABLE	
PANEL COLOR	Item No. 22 Part No.
Almond Vinyl	21481C
Platinum Vinyl	26943C
Stainless Steel	21013C
Slate Vinyl	26949C

***INCLUDES RELAY & OVERLOAD. IF UNDER WARRANTY, REPLACE WITH SAME COMPRESSOR USED IN ORIGINAL ASSEMBLY.**

NOTE: All correspondence pertaining to any of the above water coolers or orders for repair parts MUST include Model No. and Serial No. of cooler, name and part number of replacement part.

220V 50Hz

ITEM NO.	PART NO.	DESCRIPTION
1	35827C	Power Cord
3	000000244	Kit - Fan Motor Assy/Motor/Blade/Shroud/Nut
*8	1000002147	Compressor Serv. Pak 220V
9	98751C	Kit - Compr Electrical /Relay/Overload/Cover
-	35826C	Power - Inlet

Halsey Taylor

2222 CAMDEN COURT
OAK BROOK, IL 60523
630.574.3500

PRINTED IN U.S.A.

FOR PARTS CONTACT YOUR LOCAL DISTRIBUTOR OR VISIT OUR WEBSITE WWW.HALSEYTAYLOR.COM